

meas. no. 02L1825
meas. date 10/21/2023
operator LightLab.

meas. conditions
 ambient temperature 25.0 °C
 voltage 230.00 V
 current 0.555 A
 power consumption 126.0 W
 Leistungsfaktor 0.988

meas. lamps lum. flux [lm]
 absolute measurement 19442.1 lm
 luminous efficacy 154 lm/w

dimensions of luminaire
 length 260 mm
 width 270 mm
 height 45 mm

dimensions of luminous area
 length 170 mm
 width 170 mm
 height C0 15 mm
 height C90 15 mm
 height C180 15 mm
 height C270 15 mm

reflector

cover

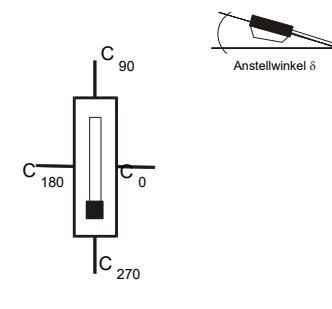
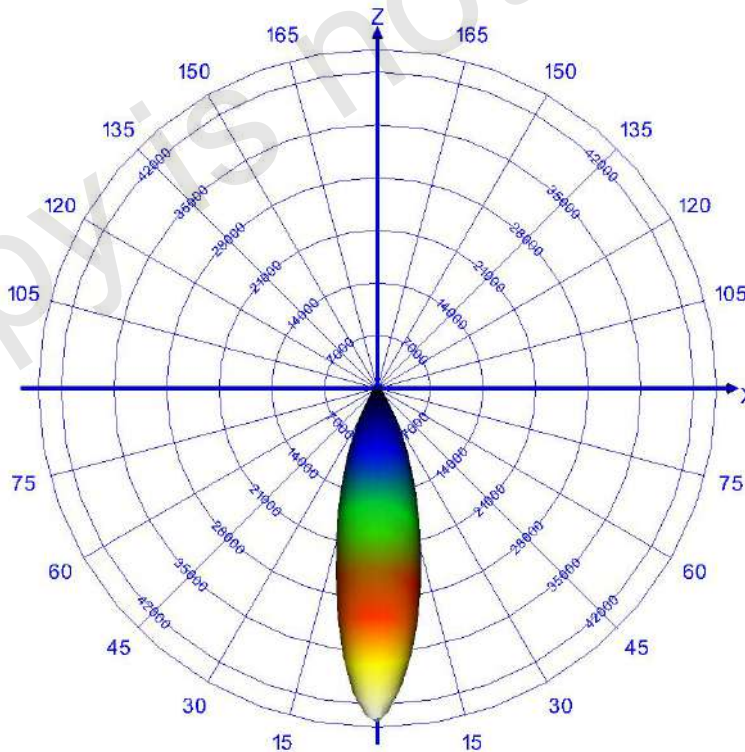
variant

measurement results
 flux of luminaire 19442.1 lm
 classification / DIN A60
 lower flux fraction 99.78 %
 upper flux fraction 0.22 %
 intensity maximum 45027.9 cd
 in C-plane 257.5 °
 at gamma 2.5 °
 half value angle C0 : 15.2 °
 C90 : 14.0 °
 C180 : 14.3 °
 C270 : 12.9 °
 tenth value angle C0 : 32.5 °
 C90 : 31.1 °
 C180 : 31.8 °
 C270 : 31.3 °

article code
 Farabin Intelligent Co.(Autoban)

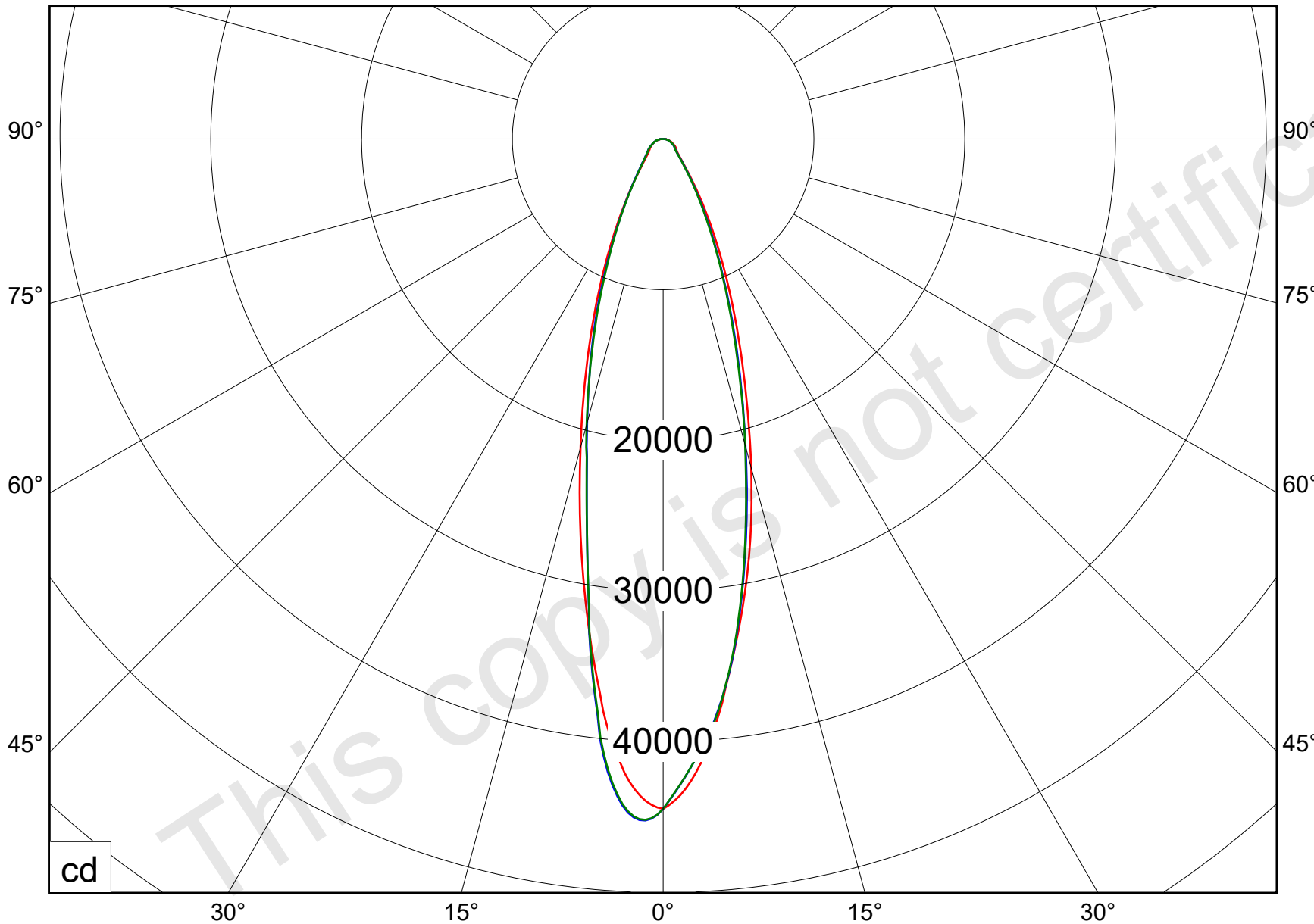
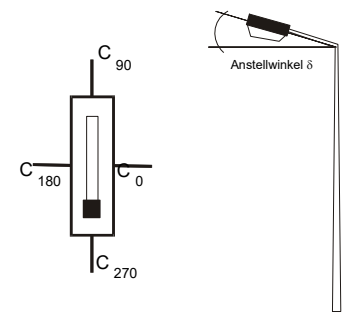
lamp(s)
 1 x LED
 total flux 19442 lm
 LOR 100 %
 tilt angle 0.0 °

remarks



article code
Farabin Intelligent Co.(Autoban)

lamp(s)
1 x LED
total flux
19442 lm
LOR
100 %
tilt angle
0.0 °



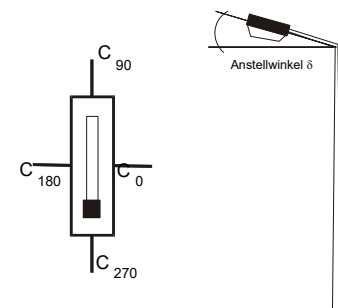
— C0.0-C180.0

— C90.0-C270.0

distance [m]	cone diameter [m]	E [lx]
1.0	0.54	E(0°) 44421 E(C0) 15.2° 21454
2.0	1.09	E(0°) 11105 E(C0) 15.2° 5364
3.0	1.63	E(0°) 4936 E(C0) 15.2° 2384
4.0	2.17	E(0°) 2776 E(C0) 15.2° 1341
5.0	2.72	E(0°) 1777 E(C0) 15.2° 858

article code
Farabin Intelligent Co.(Autoban)

lamp(s)
1 x LED
total flux
19442 lm
LOR
100 %
tilt angle
0.0 °



half value angle 30.4°

article code

Farabin Intelligent Co.(Autoban)

lamp(s)

1 x LED

total flux

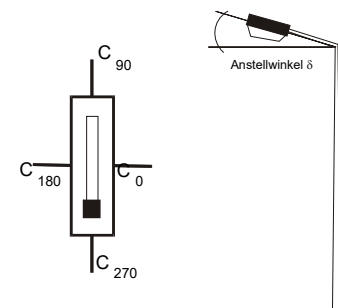
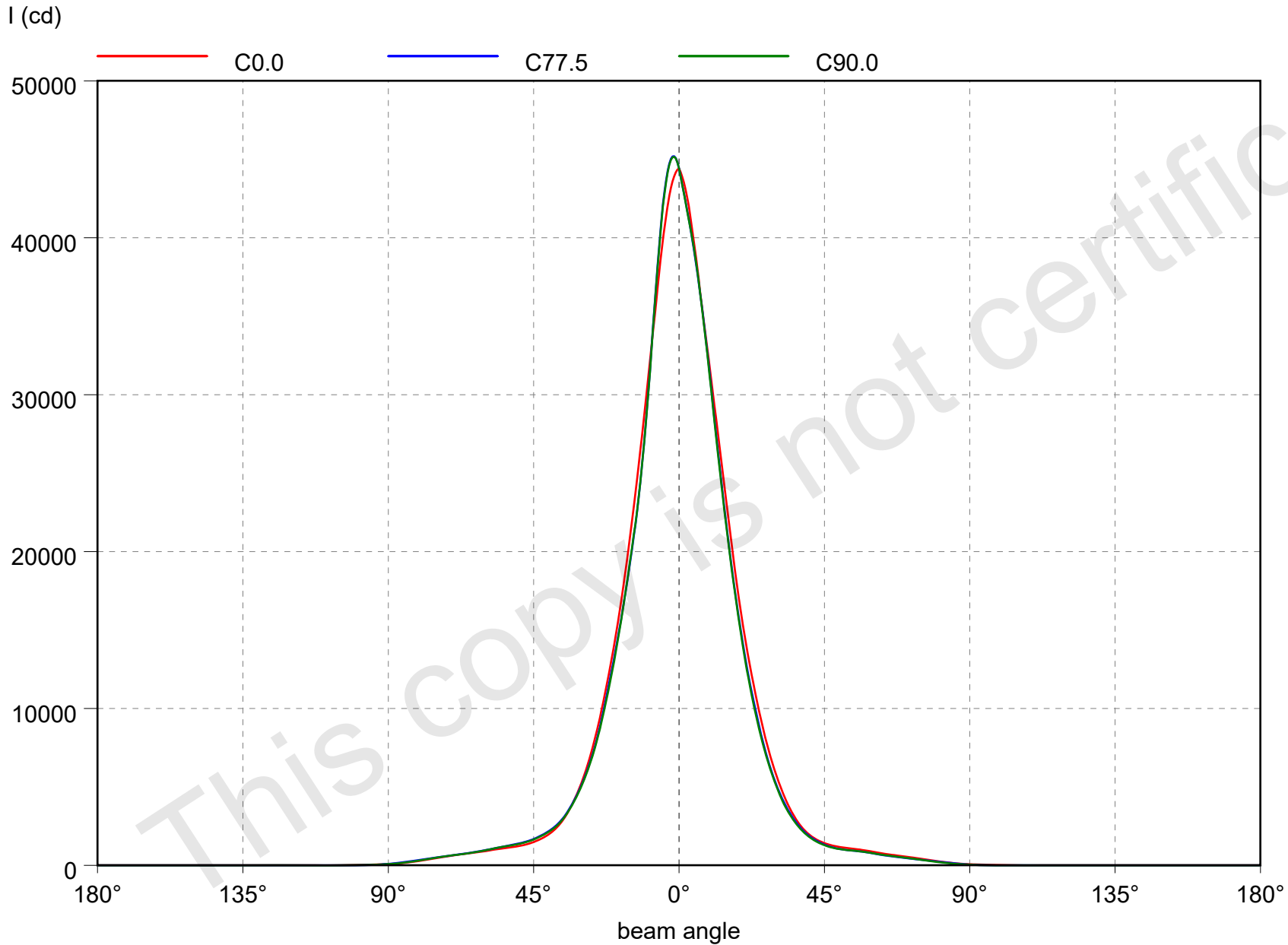
19442 lm

LOR

100 %

tilt angle

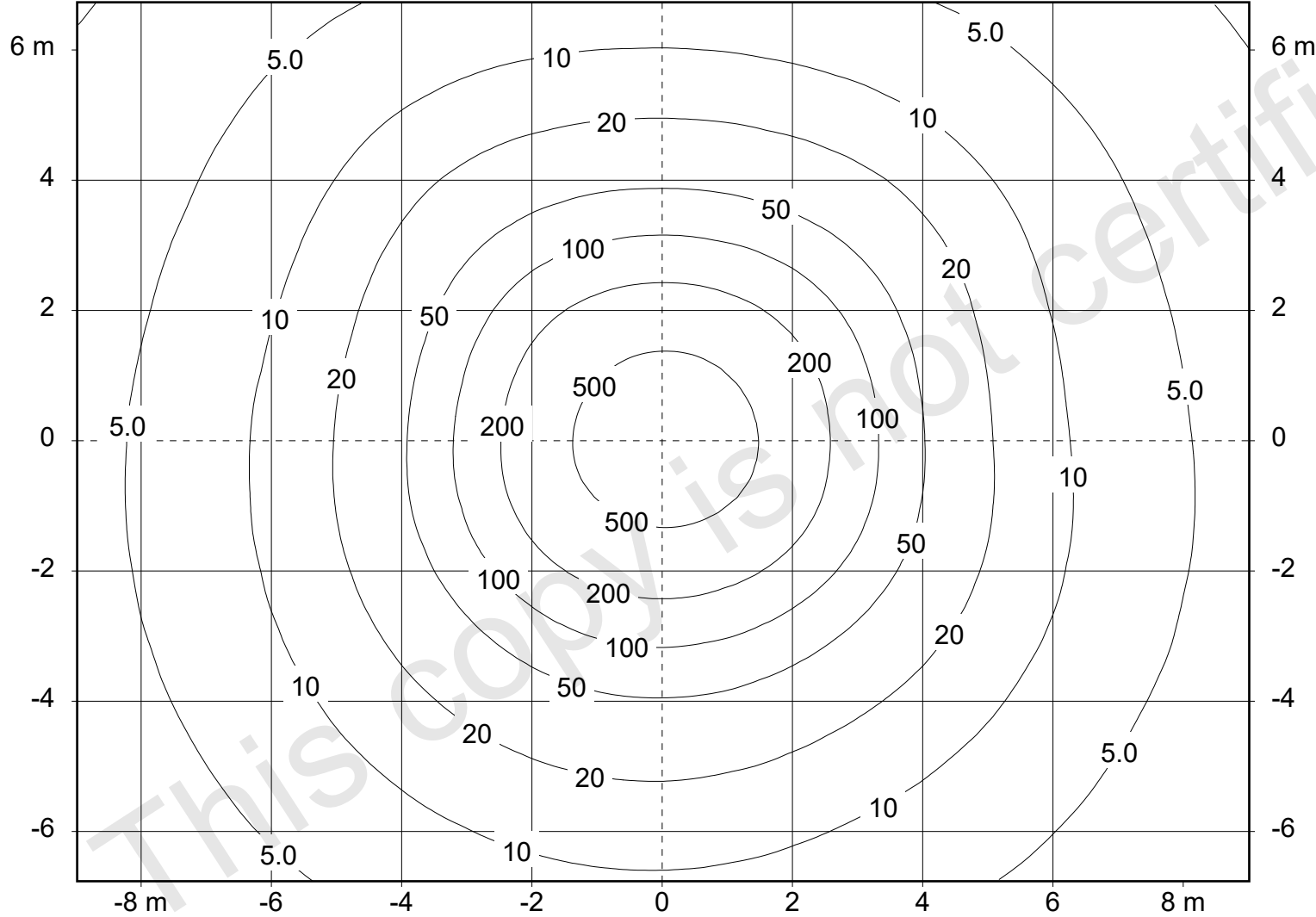
0.0 °



tilt angle : 0.0°
swivel angle : 0.0°

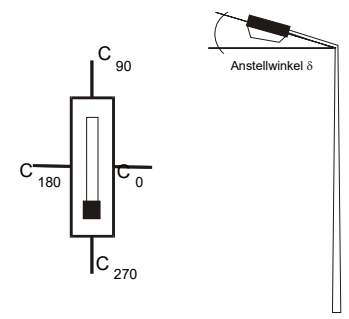
mounting height : 6.00 m
orientation : 0.0°

light loss factor : 0.8



article code
Farabin Intelligent Co.(Autoban)

lamp(s)
1 x LED
total flux
19442 lm
LOR
100 %
tilt angle
0.0°



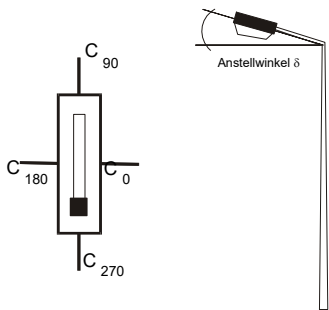
luminaire : FloodLight_LED_Modular_130W_5000K

file : FLOODLIGHT_LED_MODULAR_130W_5000K

gamma / °	C 0	C 15	C 30	C 45	C 60	C 75	C 90	C 105	C 120	C 135	C 150	C 165	C 180	C 195	C 210	C 225	C 240	C 255
0.0	2285	2285	2285	2285	2285	2285	2285	2285	2285	2285	2285	2285	2285	2285	2285	2285	2285	2285
2.5	2191	2173	2160	2152	2149	2147	2147	2148	2153	2164	2178	2197	2221	2247	2271	2292	2309	2316
5.0	2014	1996	1988	1988	1990	1993	1997	1994	1989	1986	1994	2018	2051	2090	2129	2154	2165	2168
7.5	1798	1790	1786	1788	1790	1796	1792	1787	1780	1771	1766	1777	1803	1836	1858	1864	1859	1847
10.0	1590	1587	1580	1575	1567	1560	1553	1541	1539	1532	1528	1534	1552	1560	1547	1528	1504	1485
12.5	1379	1370	1360	1351	1335	1319	1305	1300	1302	1301	1298	1296	1312	1310	1282	1250	1218	1204
15.0	1161	1152	1140	1133	1116	1091	1081	1080	1089	1093	1088	1080	1089	1092	1075	1049	1019	1005
17.5	954	950	948	937	913	887	879	882	897	908	900	889	896	904	902	884	861	838
20.0	772	778	782	770	742	716	702	710	732	747	740	724	728	745	747	735	713	688
22.5	624	628	634	623	598	570	557	569	592	605	598	582	585	599	607	595	575	551
25.0	496	500	509	503	479	449	438	451	475	487	475	458	461	475	483	473	455	435
27.5	387	393	404	404	379	352	341	354	378	389	374	356	358	371	379	371	357	341
30.0	299	306	318	321	296	272	263	275	297	309	294	277	276	290	295	292	279	269
32.5	229	234	249	252	231	209	201	212	232	244	229	211	213	224	229	228	221	213
35.0	173	177	193	198	180	161	155	164	182	191	178	161	164	172	180	180	176	170
37.5	132	136	151	155	141	126	121	129	143	151	140	127	128	136	143	145	142	137
40.0	104	107	119	123	112	100	96	102	116	120	111	102	104	111	117	119	118	115
42.5	85	87	97	100	91	82	78	84	95	99	91	85	88	93	99	102	101	100
45.0	73	73	81	83	76	68	66	70	80	84	78	73	77	81	85	88	88	86
47.5	65	64	69	71	65	59	58	61	69	73	68	66	68	72	76	79	79	77
50.0	60	59	62	63	58	53	53	56	62	65	63	61	63	67	71	72	72	71
52.5	56	55	57	56	53	50	50	52	57	60	58	57	58	62	66	67	67	66
55.0	53	52	53	52	49	47	47	49	53	55	54	53	55	58	61	63	62	61
57.5	49	48	48	47	45	44	44	44	47	50	49	49	51	53	56	57	57	55
60.0	45	43	43	42	41	39	40	40	42	45	45	45	47	48	51	52	51	50
62.5	40	38	38	37	36	35	35	35	38	40	41	41	43	44	47	47	46	45
65.0	36	35	34	33	32	31	32	32	34	36	38	38	40	41	43	43	42	41
67.5	32	31	31	30	28	27	28	28	30	33	34	34	36	38	39	40	39	37
70.0	29	28	28	27	25	24	25	25	27	30	30	31	32	34	35	36	35	33
72.5	25	25	25	25	23	21	22	22	25	28	28	27	28	30	32	33	32	30
75.0	22	21	22	23	21	19	18	19	22	26	25	23	24	26	29	30	29	26
77.5	18	17	19	19	19	16	15	16	19	22	21	20	19	21	25	27	26	22
80.0	14	14	16	14	16	13	11	14	16	16	18	16	15	18	21	22	22	19
82.5	10	12	13	11	12	11	8	11	13	12	14	13	11	14	17	16	17	15

article code
Farabin Intelligent Co.(Autoban)

lamp(s)
1 x LED
total flux
19442 lm
LOR
100 %
tilt angle
0.0 °



luminaire : FloodLight_LED_Modular_130W_5000K

file : FLOODLIGHT_LED_MODULAR_130W_5000K

gamma / °	C 270	C 285	C 300	C 315	C 330	C 345
0.0	2285	2285	2285	2285	2285	2285
2.5	2313	2302	2285	2263	2238	2214
5.0	2159	2146	2125	2097	2067	2039
7.5	1839	1840	1841	1836	1823	1809
10.0	1483	1498	1527	1562	1580	1587
12.5	1206	1224	1257	1309	1352	1373
15.0	1008	1015	1043	1093	1136	1156
17.5	831	837	870	909	944	955
20.0	676	685	710	747	775	783
22.5	540	547	571	604	626	630
25.0	427	430	450	479	503	502
27.5	334	337	351	378	397	398
30.0	265	266	276	296	312	312
32.5	209	210	216	230	243	240
35.0	165	166	169	181	191	185
37.5	133	132	134	143	150	143
40.0	112	110	110	116	120	114
42.5	97	95	94	98	100	94
45.0	85	82	81	84	85	80
47.5	76	74	73	76	75	71
50.0	69	68	67	69	68	65
52.5	65	63	63	64	63	60
55.0	60	59	59	60	58	56
57.5	55	54	54	55	54	52
60.0	50	49	50	50	49	47
62.5	44	44	45	45	43	42
65.0	40	39	40	40	39	37
67.5	36	36	36	37	36	34
70.0	33	32	33	34	32	30
72.5	29	29	30	31	30	27
75.0	26	25	28	29	27	23
77.5	21	21	25	26	23	20
80.0	17	17	21	21	19	17
82.5	12	14	17	15	16	14

article code

Farabin Intelligent Co.(Autoban)

lamp(s)

1 x LED

total flux

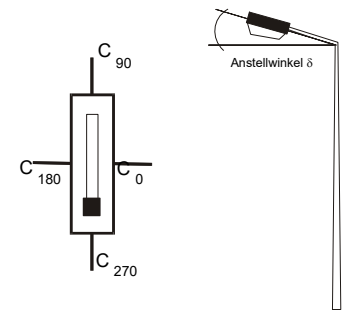
19442 lm

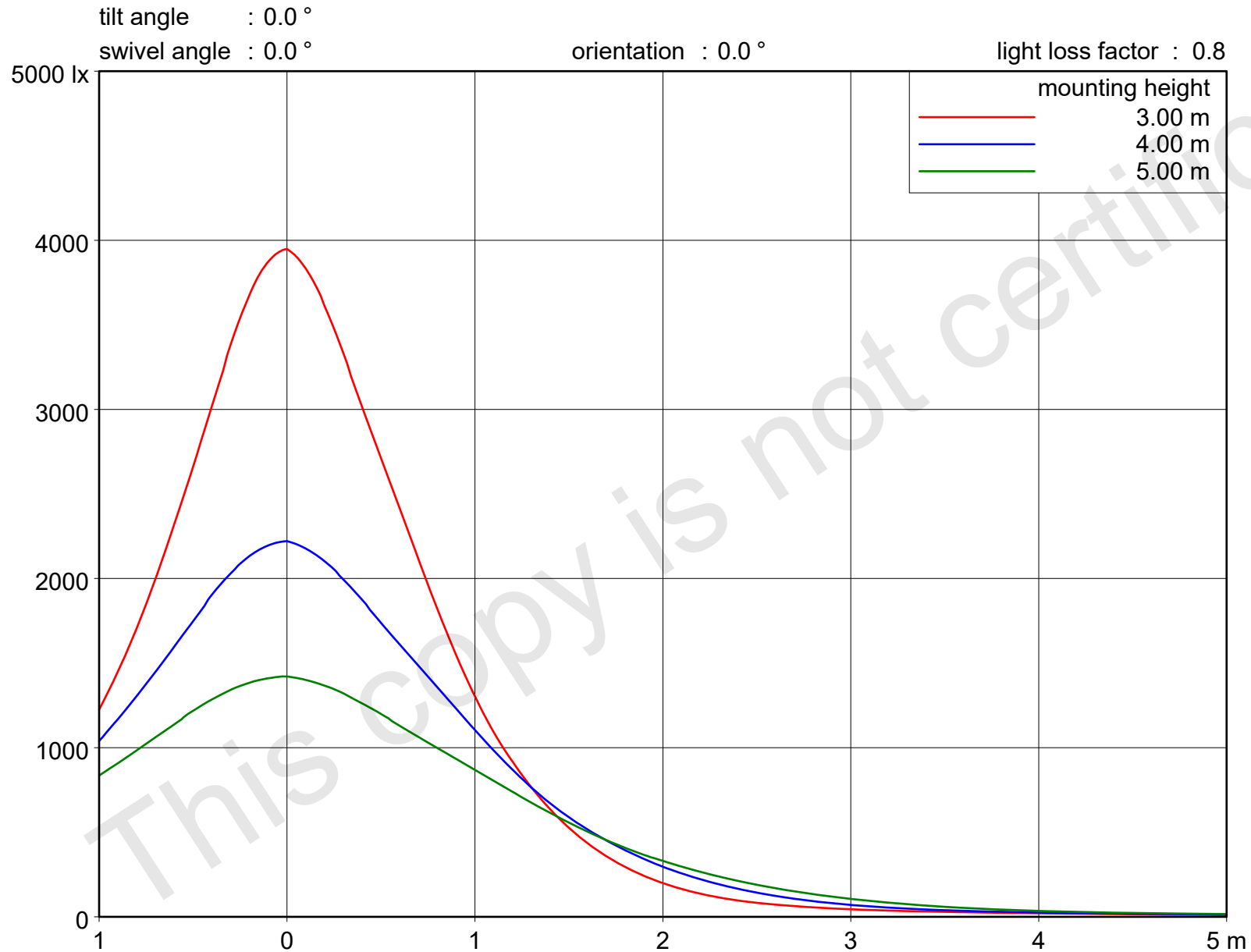
LOR

100 %

tilt angle

0.0 °



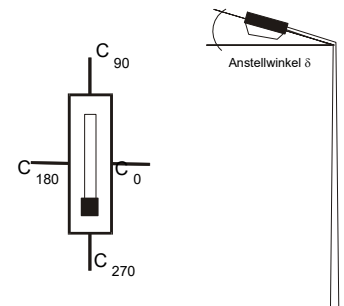


article code

Farabin Intelligent Co.(Autoban)

lamp(s)

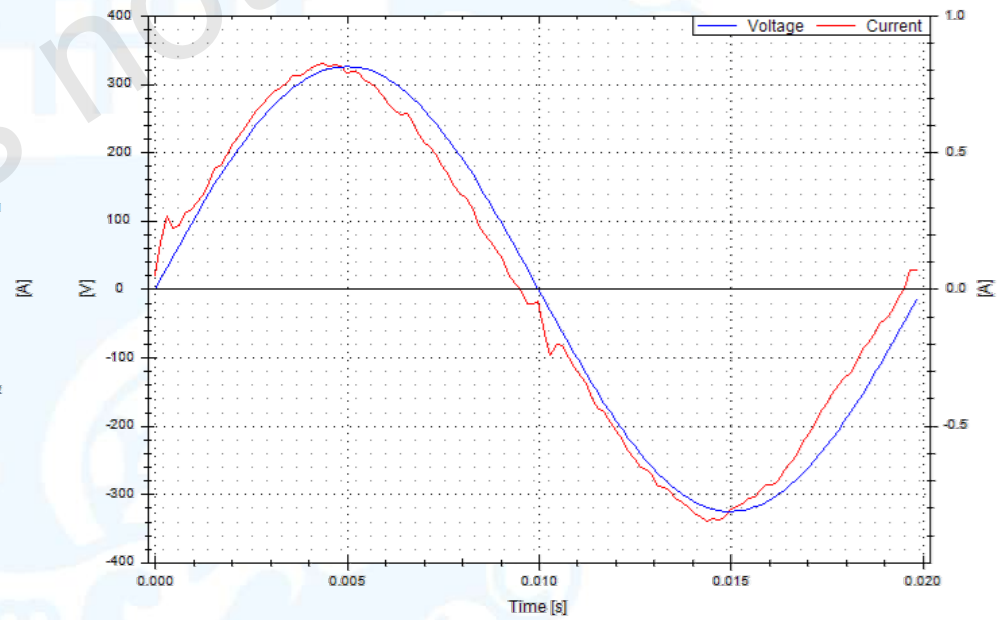
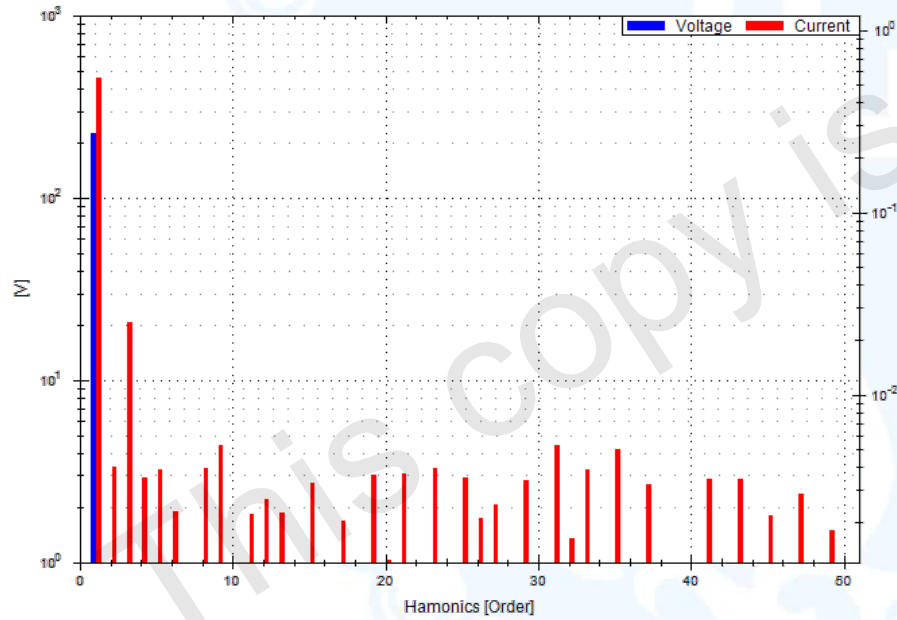
1 x LED
total flux
19442 lm
LOR
100 %
tilt angle
0.0 °





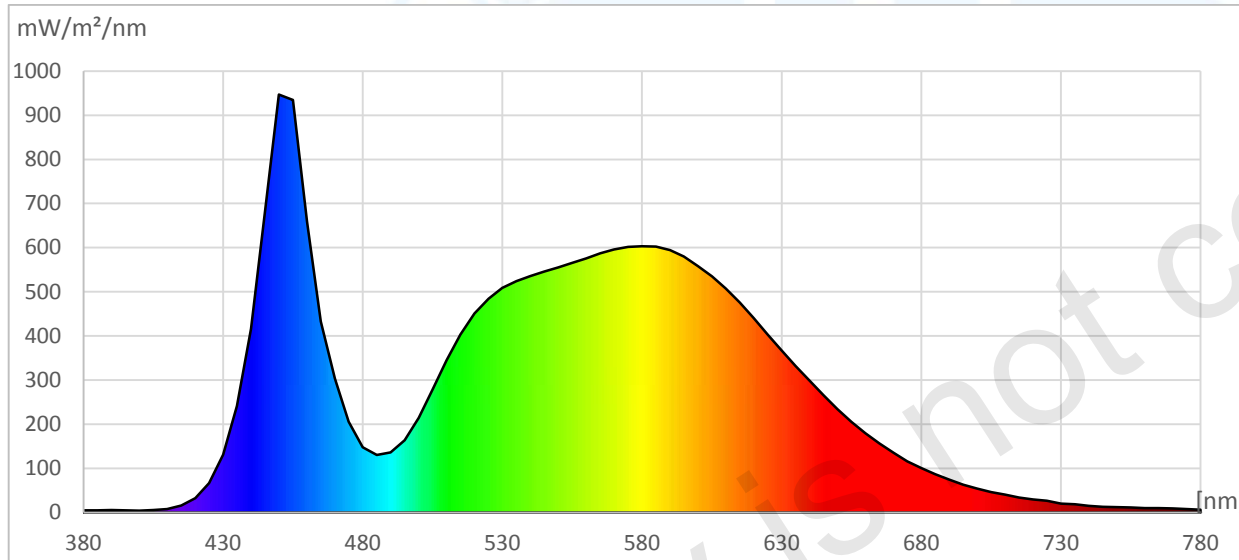
• **Electrical Test Results:**

Electrical Parameter of Luminaire			
Vac	230.00 [V]	I _{thd}	5.75 [%]
V _{thd}	0.07 [%]	AC Pwr	126.01 [W]
Freq	50.00 [Hz]	App Pwr	127.58 [VA]
I _{ac}	554.6 [mA]	React Pwr	19.97 [Var]
I _{pp}	865.6 [mA]	Pwr Fact	0.988

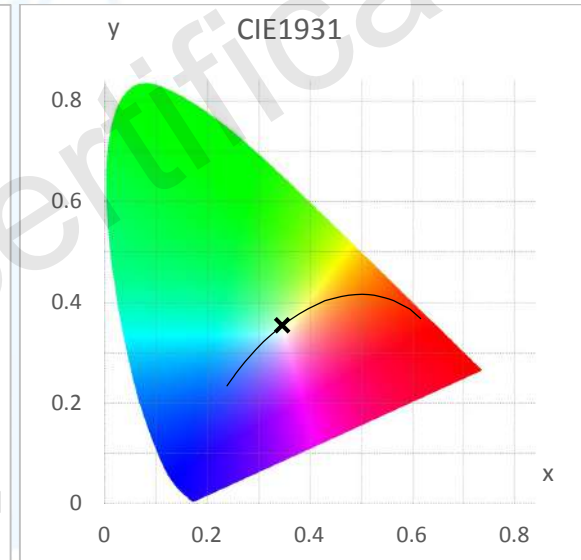




• **Colorimetric Test Results:**



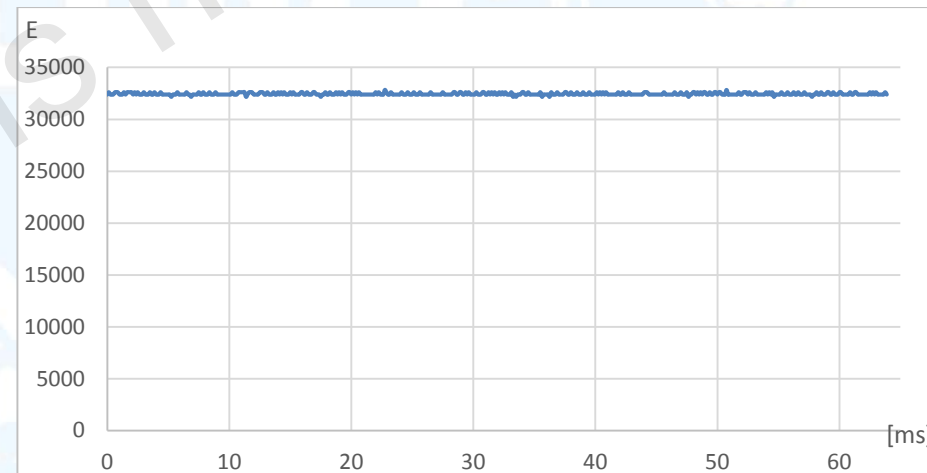
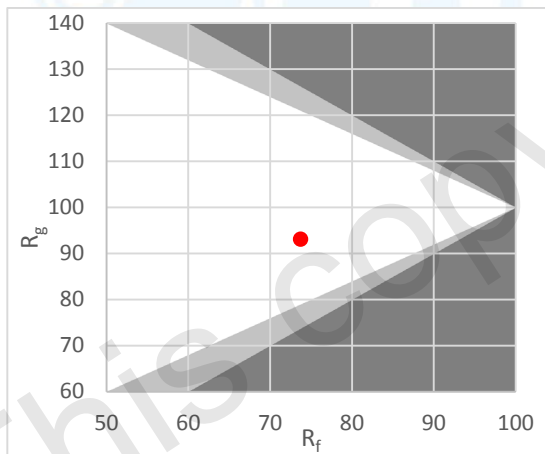
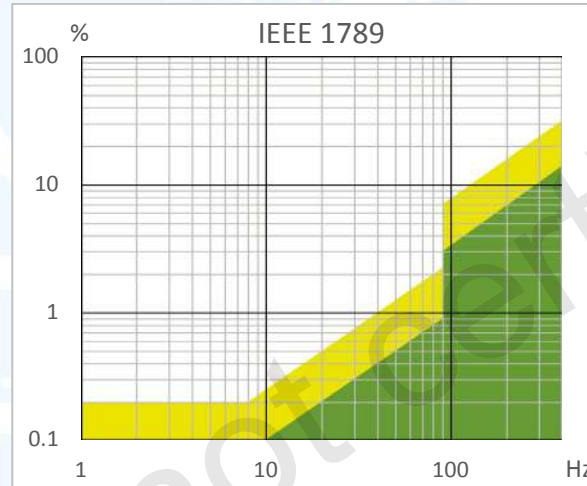
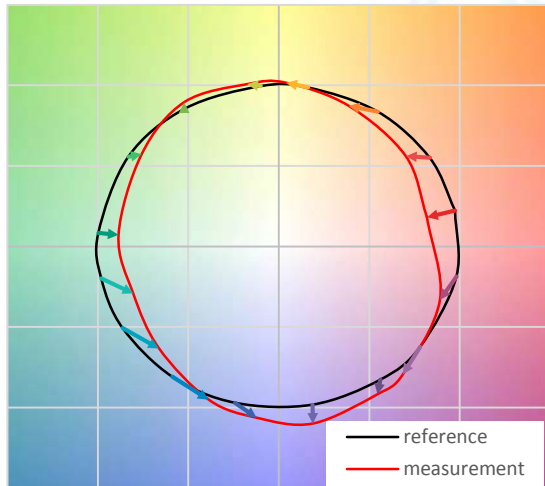
Spectrometric results of luminaire; peak wavelength: 453 nm



CIE 1931 Diagram

According to diagram CIE 1931 for colorimetric

x	y	Ra	Nominal CCT	Measured CCT	SDCM	Duv	Saturation
0.3473	0.3539	76.3	5000 °K	4923 °K	3	0.0003	10.40 %



IES TM 30-15	
R _f	R _g
73.7	93.1

IEEE 1789-2015		
Flicker Frequency [Hz]	Percent Flicker	Flicker Index
0.00	1 %	0.00